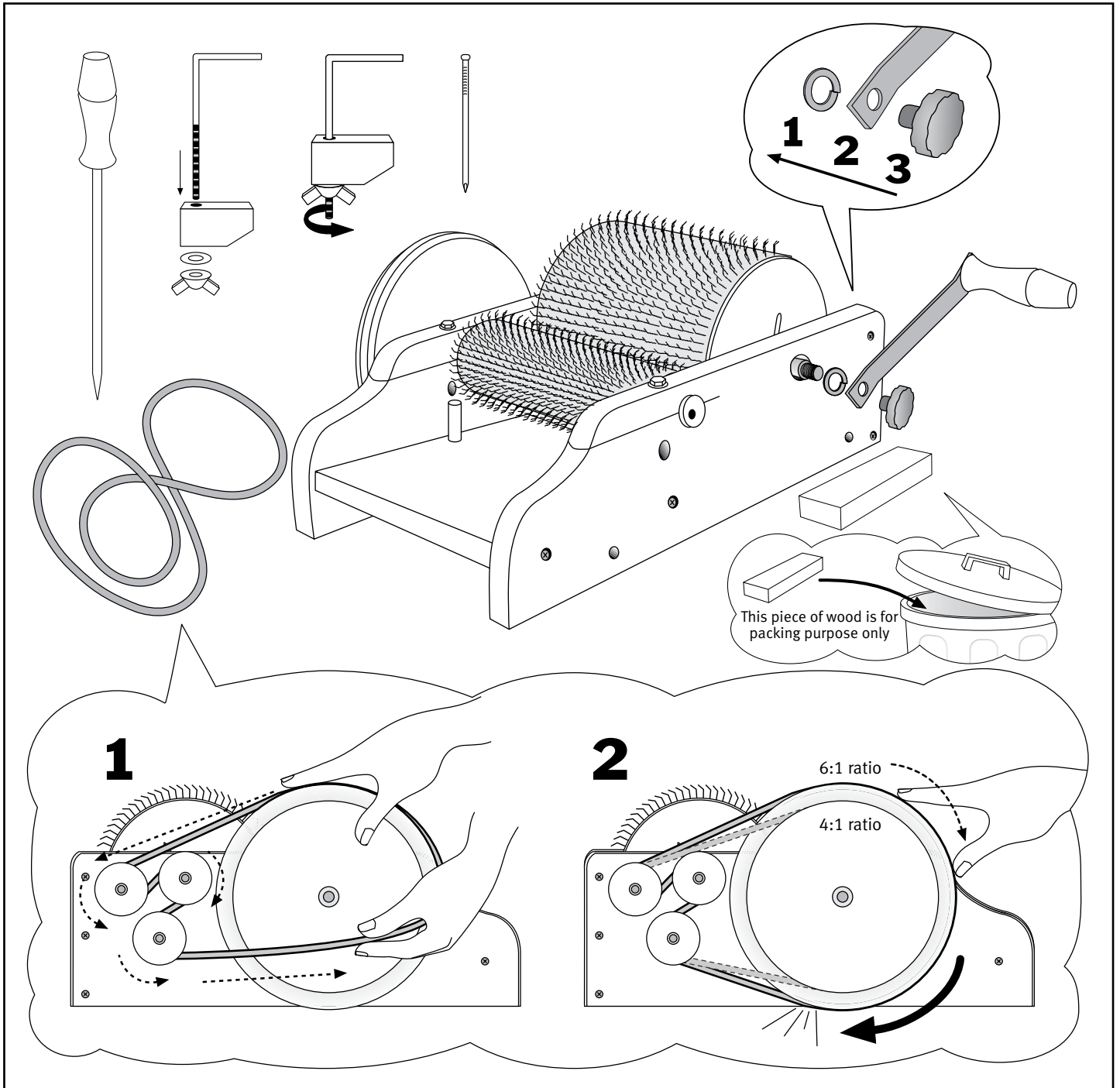


### THE ASHFORD 2 SPEED DRUM CARDER



**The Ashford Drum Carder - Fine or Coarse**

Prepare 50gm (2ozs) batts quickly and efficiently. Ideal for spinning or felting.

The two-speed ratios give flexibility and control when carding and blending.

Use the 6:1 ratio to prepare your fleece. The controlled intake and carding will produce a smooth even batt ready for blending, spinning or felting.

Use the 4:1 ratio to blend sliver, colours and different fibre types consistently into an open and airy batt.

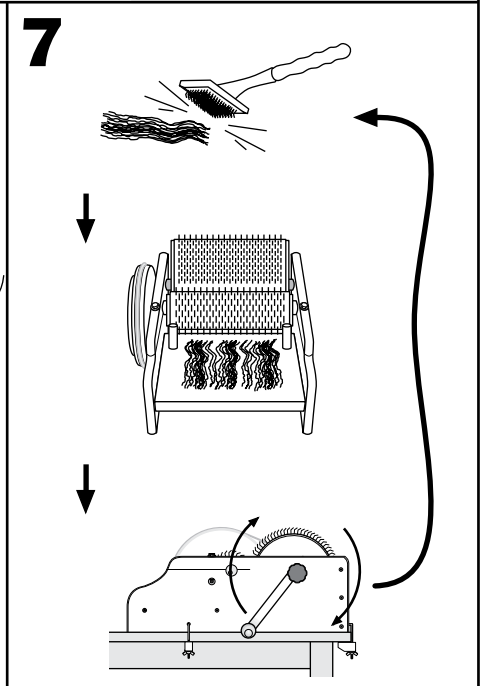
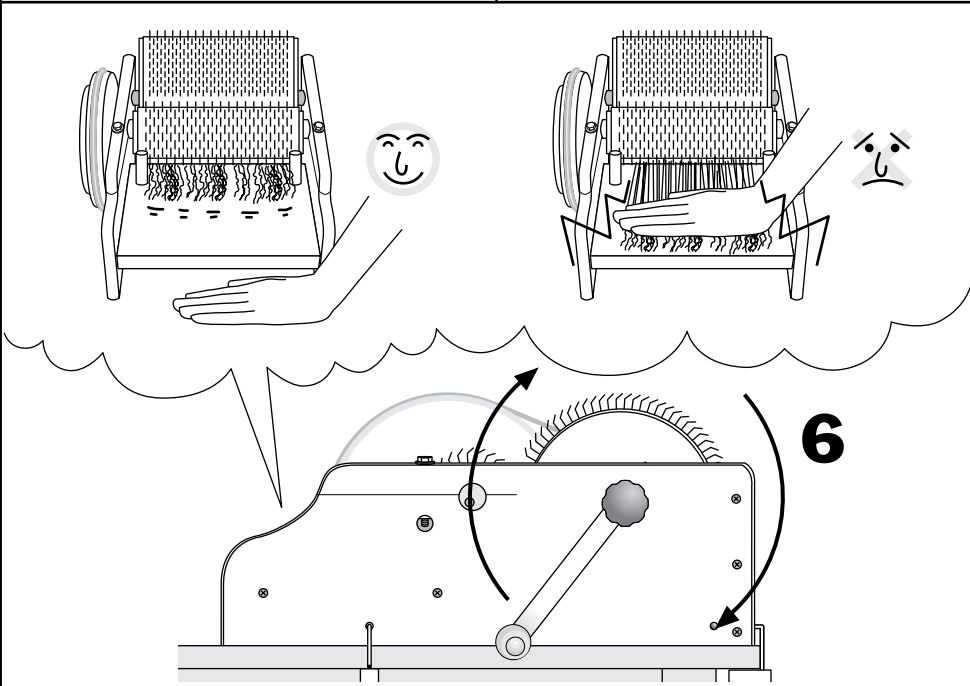
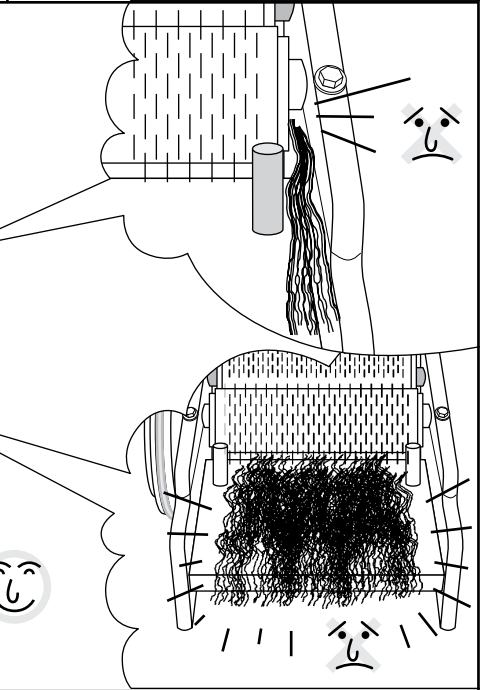
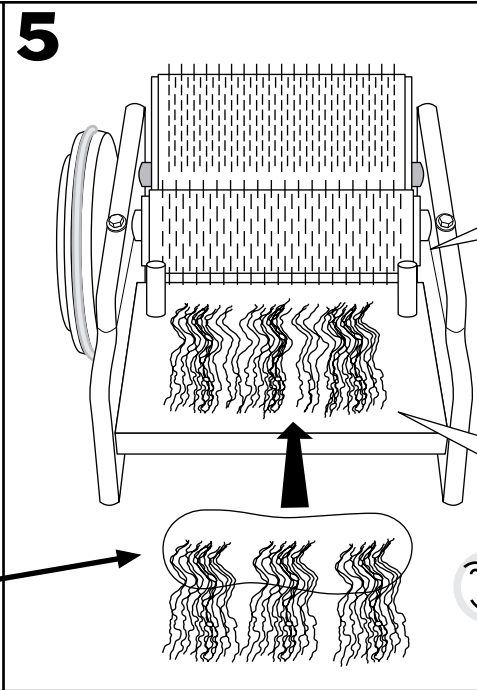
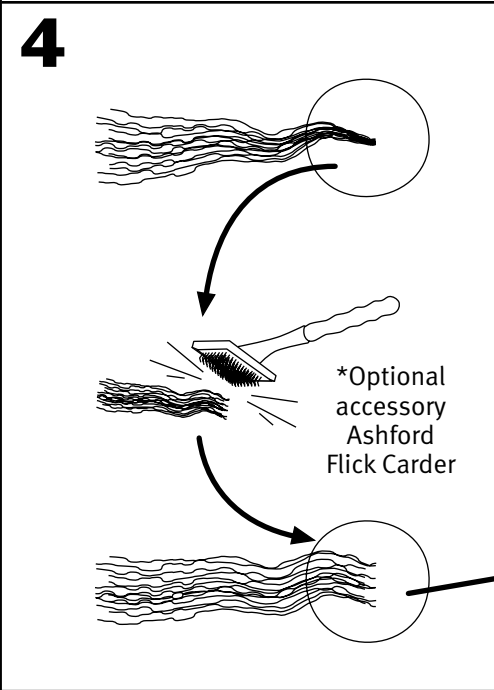
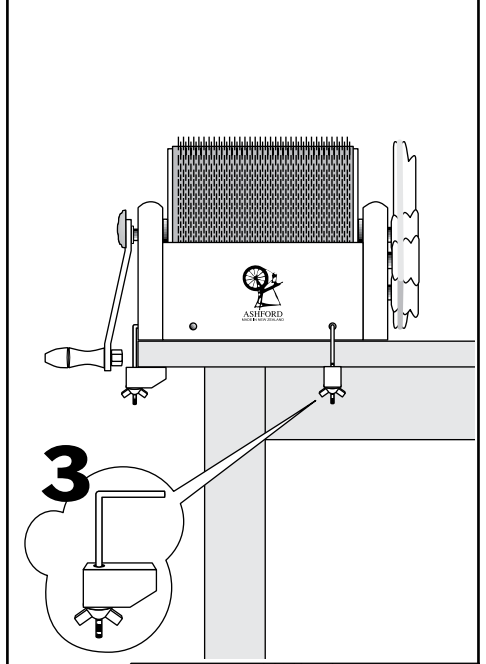
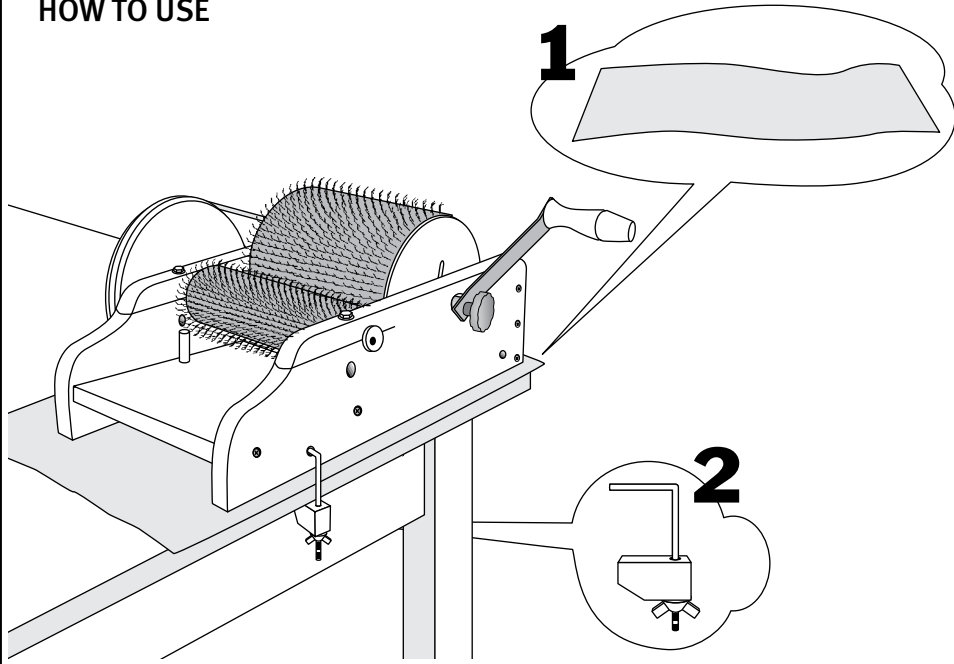
The adjustable drum clearance allows you to set the teeth distance for total control of your fibre. All nylon bearings ensure it is light and easy to turn.

The card cloth has wire teeth with a special protective coating and a flexible rubber backing for long life. The carder is strong and robust with the body made from Silver Beech hardwood. The carder has rubber feet to prevent it slipping. It comes assembled and lacquered ready to use.

**NOTE:** To avoid the drive cord stretching when not in use, please loosen the drive cord by moving it to a smaller pulley.

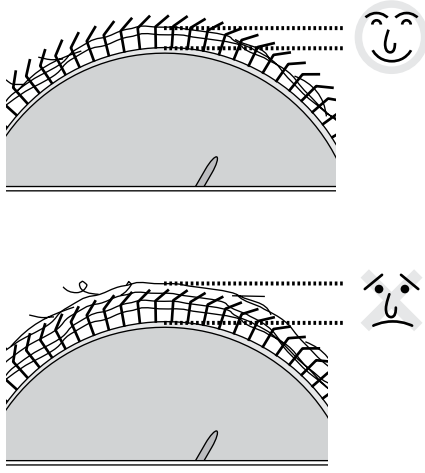
ADC05082010V3

# HOW TO USE

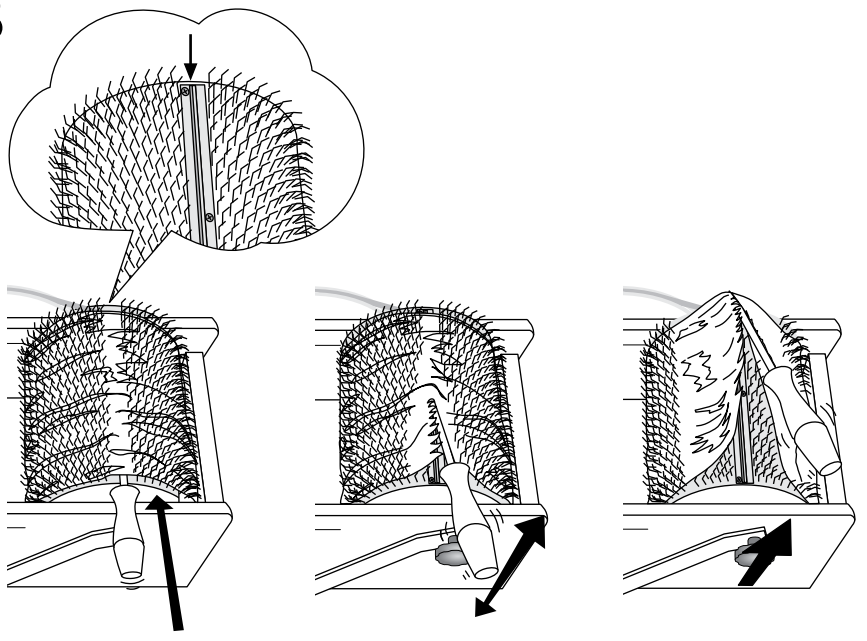


\*Optional  
accessory  
Ashford  
Flick Carder

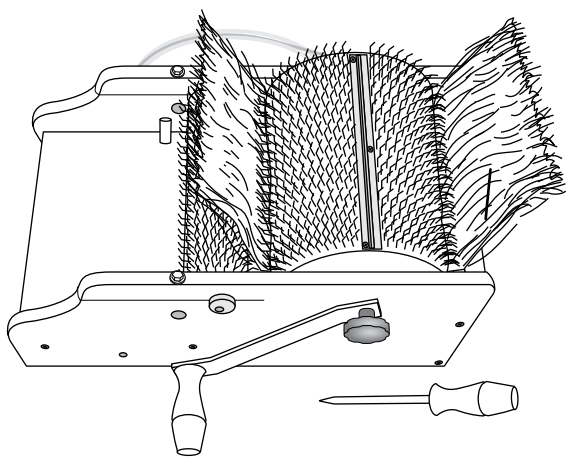
CHECK!



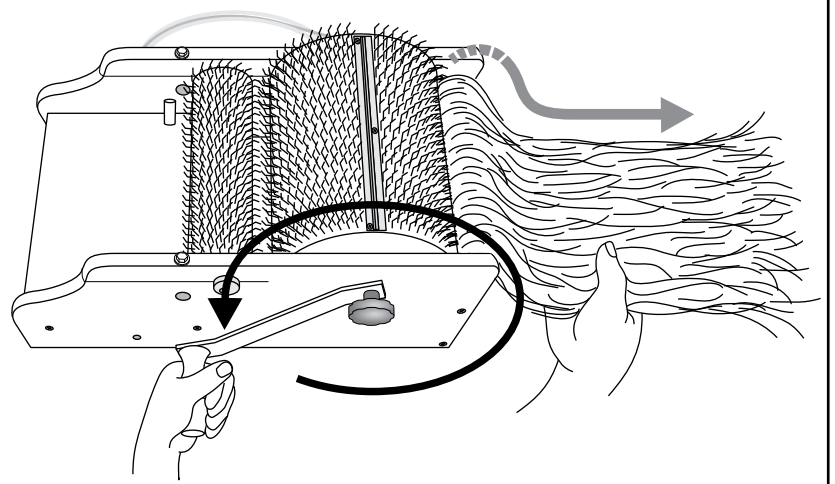
8



9



10



Hints!

Ashford Rainbow sliver

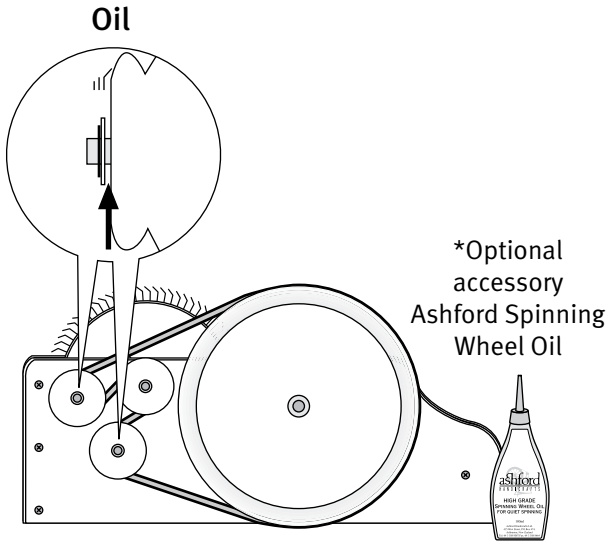
Second Carding

Mixing Colours

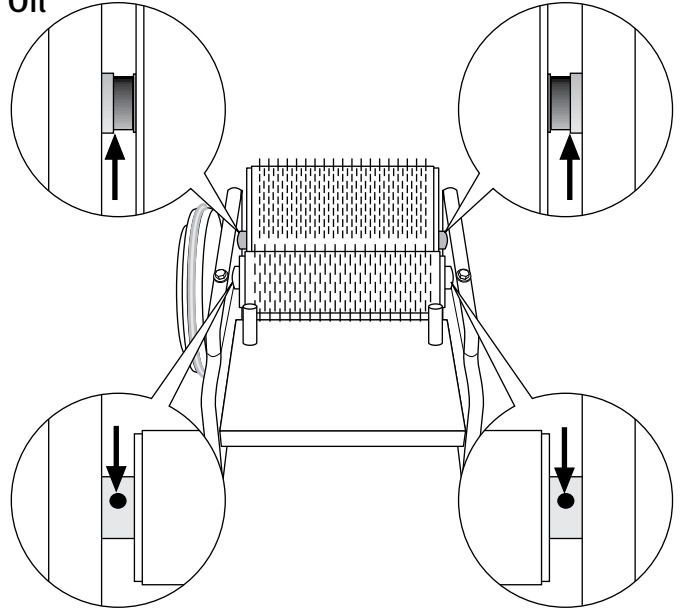
Rolags

Felting

**MAINTAINING**



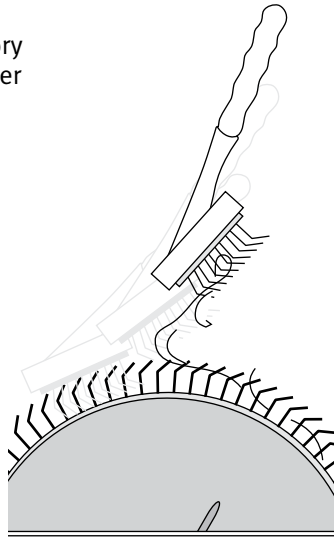
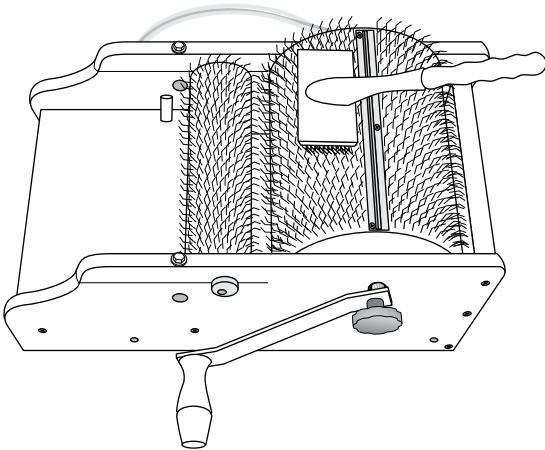
**Oil**



**Cleaning**

-Carding cloth-

\*Optional accessory  
Ashford Flick Carder

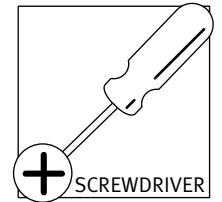
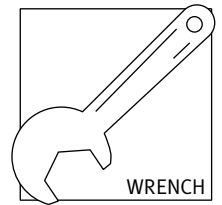


**Cleaning**

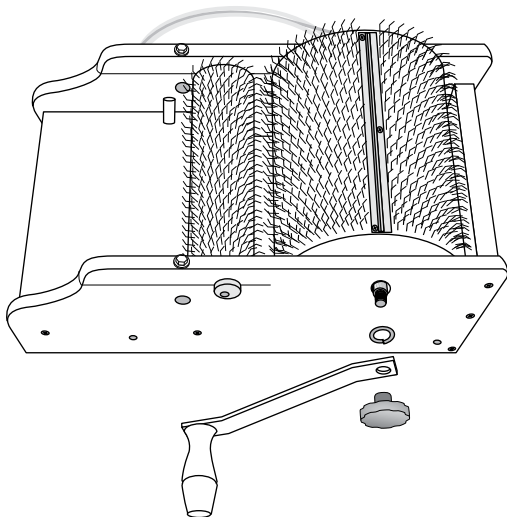
-Drum shafts-

If you find the handle hard  
to turn...

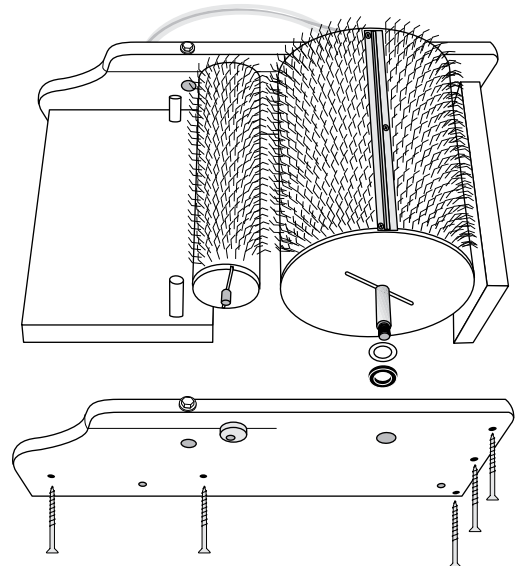
You will need...



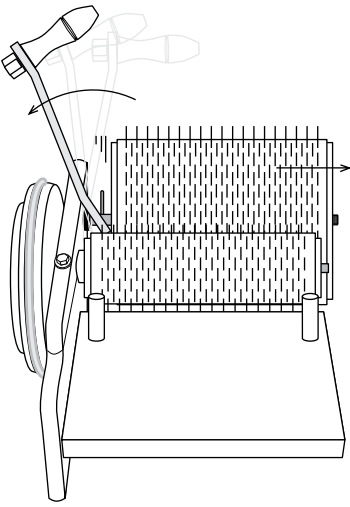
**1**



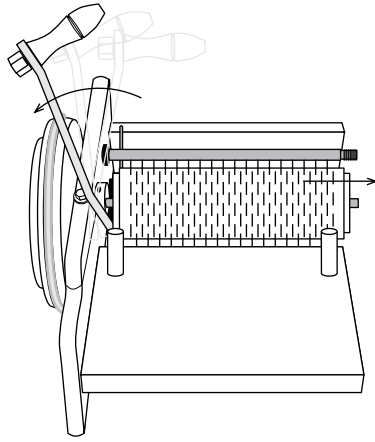
**2**



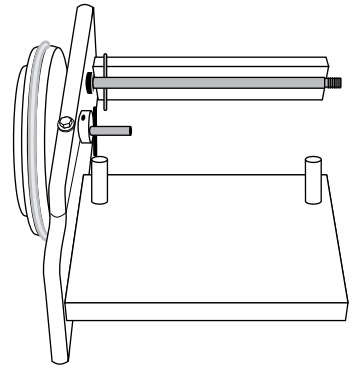
3



4

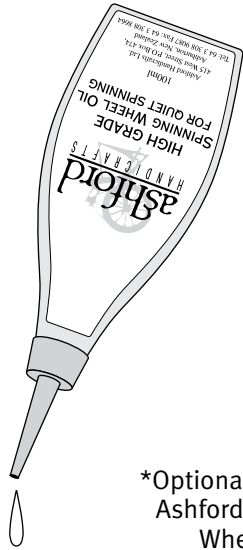


5



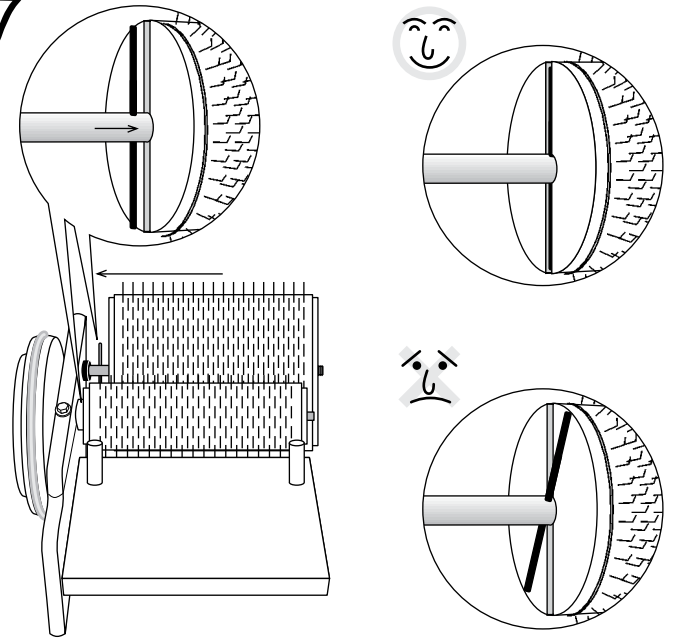
REASSEMBLING CHECK!

6

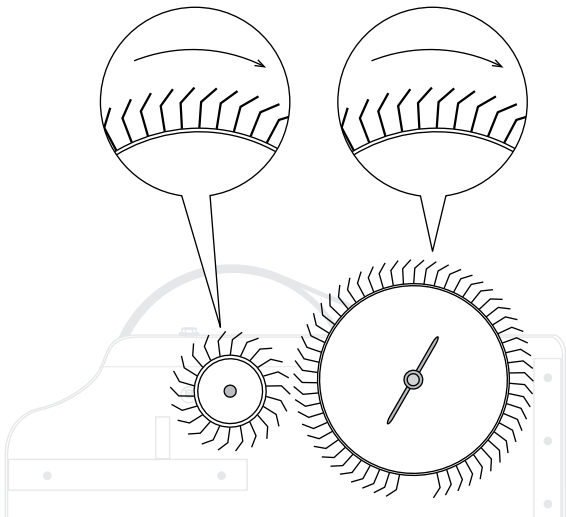


\*Optional accessory  
Ashford Spinning  
Wheel Oil

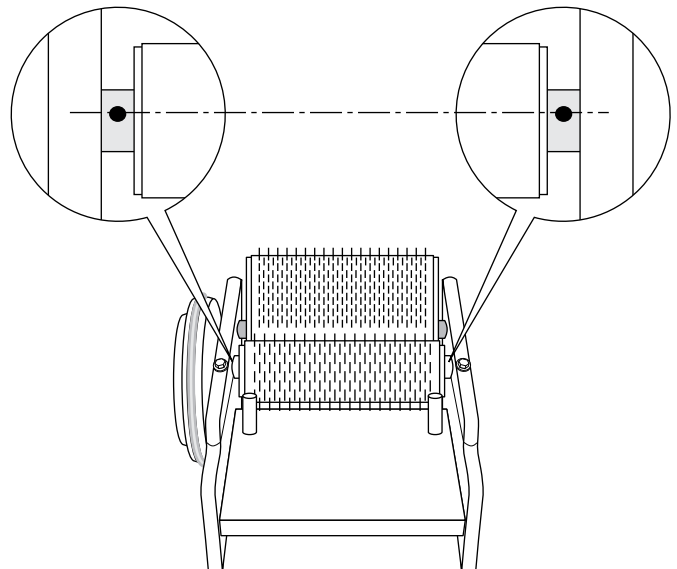
7



8



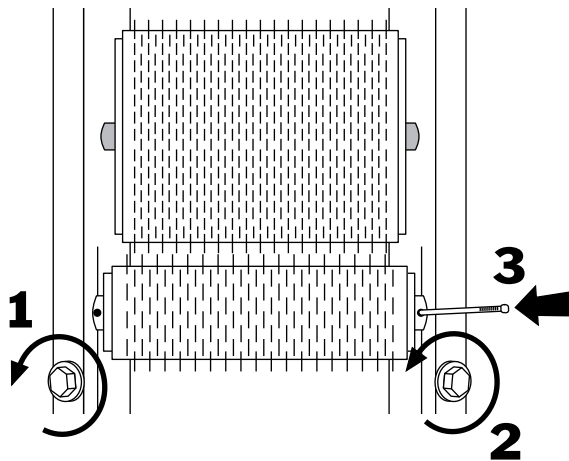
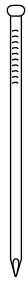
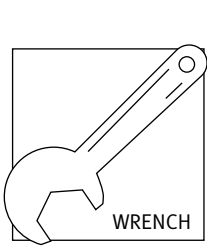
9



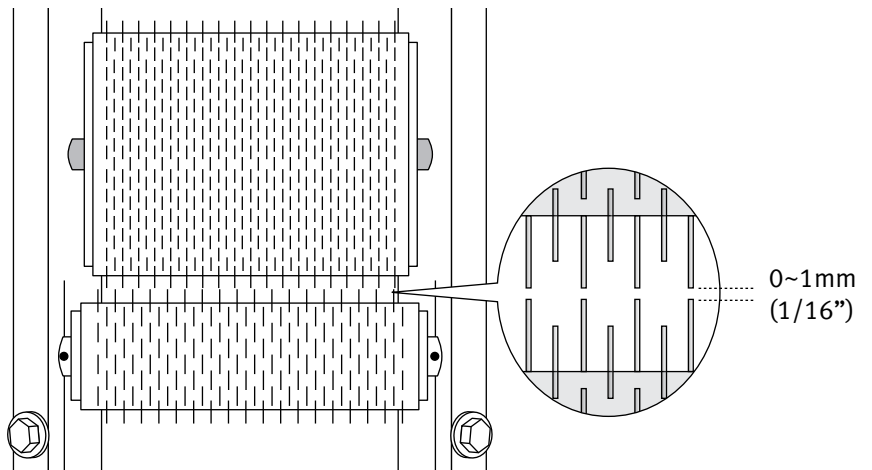
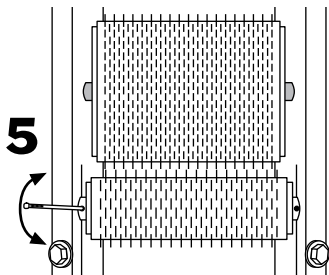
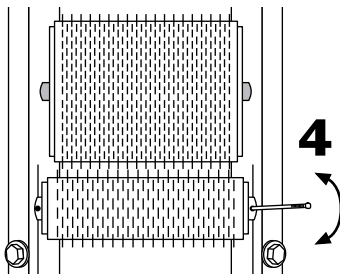
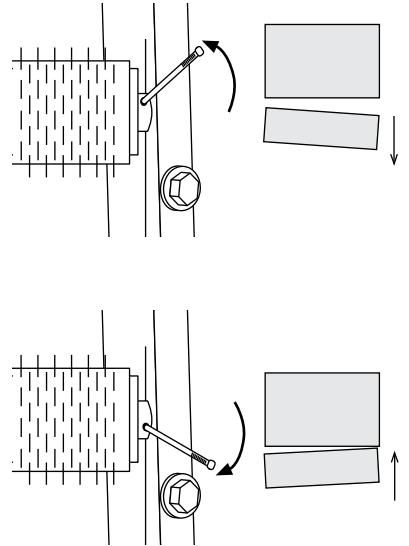
## ADJUSTING

-Gap between teeth-

You will need...



## NOTE!



## Hint!

To wash wool

The dirt and grease in unwashed wool can reduce the life of the carder.  
Washed wool keep the carding cloth and teeth free from grease and grime.

